

Ecophon Opta A TECH

For applications requiring a suspended ceiling which is easy to install and demount. Ecophon Opta™ A has an exposed grid system. Each tile is easily demountable.

The system consists of Ecophon Opta™ A tiles and Connect™ grid systems, with an approximate weight of 2,5kg/m². The tiles are manufactured from high density glass wool. The visible surface is a batch painted glass tissue in white and the back of the tile is covered with glass tissue.

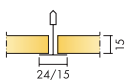
Ecophon Opta™ A is supplied with natural edges.

The grid is manufactured from galvanized steel. For best performance and system quality, use Connect™ grid and accessories.



Chaisy Primary School, France

SYSTEM RANGE



Size, mm	600x600	1200x600
T15	•	•
T24	•	•
Thickness (THK)	15	15
Inst. Diagr.	M360	M360



Opta A tile



Section of Opta A system with Connect T24



Opta A system

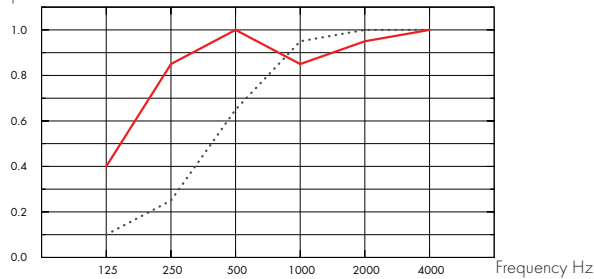


Acoustic

Sound Absorption:

Test results according to EN ISO 354. Classification according to EN ISO 11654.

α_p Practical sound absorption coefficient



... Opta A 15 mm, 50 mm o.d.s.

— Opta A 15 mm, 200 mm o.d.s.

o.d.s = overall depth of system

THK mm	o.d.s. mm	α_p Practical sound absorption coefficient						α_w	Sound absorption class
		125 Hz	250 Hz	500 Hz	1000 Hz	2000 Hz	4000 Hz		
15	50	0.10	0.25	0.65	0.95	1.00	1.00	0.55	D
15	200	0.40	0.85	1.00	0.85	0.95	1.00	0.95	A

THK mm	o.d.s. mm	NRC	SAA
15	50	0.75	0.75
15	400	0.85	0.87

THK mm	AC(1.5) Articulation Class, ASTM E1111, ASTM E1110
15	190



Accessibility

The tiles are easily demountable. Minimum demounting depth according to installation diagrams.



Cleanability

Weekly dusting and vacuum cleaning.



Visual appearance

White 190, nearest NCS colour sample S 0500-N, 80% light reflectance. Since the product has a coloured glasfelt as a surface, it can appear mottled, specially with indirect lighting. Slight colour differences can occur.



Influence of climate

The tiles withstand a permanent ambient RH up to 95% at 30°C without sagging, warping or delaminating (EN 13964).



Indoor Climate

Certificate / Label

Finnish M1

Swedish Asthma and Allergy Association

•

•

Certified by the Indoor Climate Labelling, recommended by the Swedish Asthma and Allergy Association.



Fire safety

Country

Standard

Class

A2-s1,d0

Europe

EN 13501-1

A2-s1,d0



Mechanical properties

See table about Max live load and Min load bearing capacity and Functional demands, Mechanical properties at www.ecophon.com.



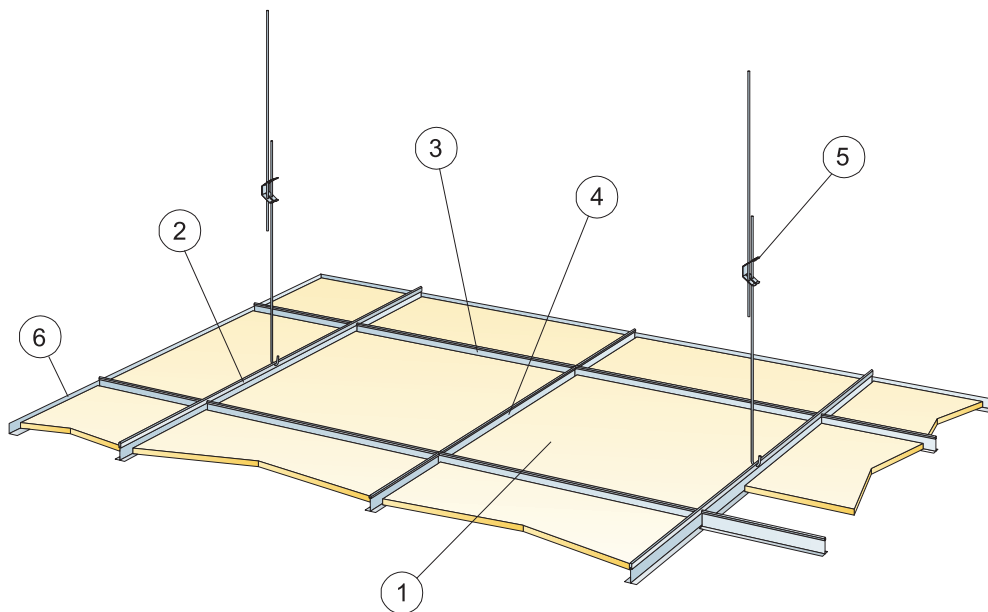
Installation

Installed according to installation diagrams, installation guides and drawing aid. (The tiles have to be installed according to the arrows on the back of the tile.)



CE

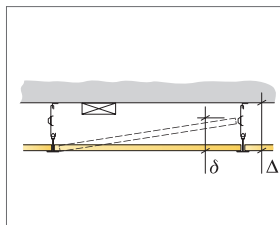
The CE marking confirms important product performance such as sound absorption, emissions, fire safety and load bearing capacity. All Ecophon ceiling products are CE marked according to European standard EN13964, and individual product performance is declared in Declaration of Performance (DoP) documents.



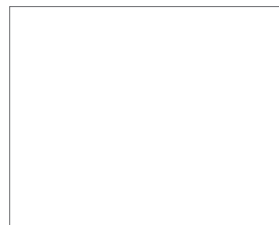
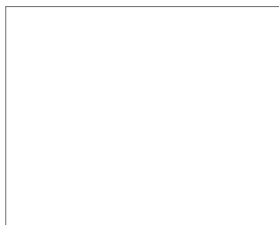
© Ecophon Group

QUANTITY SPECIFICATION (EXCL. WASTAGE)

	Size, mm	
	600x600	1200x600
1 Opta A	2,8/m ²	1,4/m ²
2 Connect T24 or T15 Main runner, installed at 1200 mm centres (max. distance from wall 600 mm, can be extended up to 1200 mm if no live load between Main runner and wall).	0,9m/m ²	0,9m/m ²
3 Connect T24 or T15 Cross tee, L=1200 mm, installed at 600 mm centres	1,7m/m ²	1,7m/m ²
4 Connect T24 or T15 Cross tee, L=600 mm	0,9m/m ²	-
5 Connect Adjustable hanger, installed at 1200 mm centres (max. distance from wall 600 mm)	0,7/m ²	0,7/m ²
6 Connect Angle trim, fixed at 300 mm centres	as required	as required
Δ Min. overall depth of system: 100 mm		
δ Min. demounting depth: 120 mm		



See Quantity specification



Size, mm	Max live load [N]	Min load bearing capacity [N]
600x600	50	160
1200x600	50	160

Live load/load bearing capacity